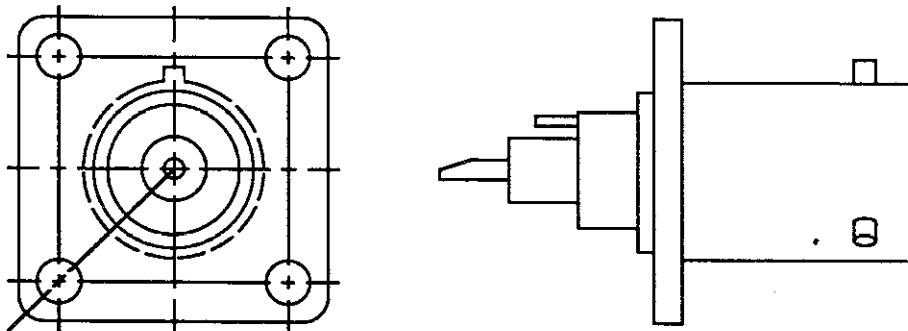


Model 7078-TRX-TBC 3-Lug Triax Bulkhead Connector with Cap

The Model 7078-TRX-TBC connector is a chassis mount 3-lug female triax connector for applications such as test fixtures. It mates with Keithley accessory cables (Model 7078-TRX-3 and 7078-TRX-10). A cap is provided to keep an unused connector clean.



NOTE

Keep the connections free of contaminants (such as dirt, oil, etc.) in order to maintain maximum insulation resistance. If the connections become contaminated, clean them thoroughly with methanol and allow to dry completely before use.

SPECIFICATIONS

Working Voltage:	600V peak center conductor to inner shield; 1300V peak center conductor and inner shield to outer shell.
Max Working Current:	1A peak.
Operating Environment:	0°C to 50°C, up to 70% RH at ≤35°C.
Contact Resistance:	<0.5Ω.
Insulation Resistance:	10 ¹⁵ Ω, center conductor to inner shield (500V test voltage, 23°C @ <40% RH).

SAFETY WARNINGS

This connector should only be used by qualified personnel who recognize shock hazards and are familiar with the safety precautions required to avoid possible injury.

The outer shell of the triaxial connector is for protection from voltages on the center and inner shield conductors. Make sure the outer shell is always connected to earth ground or a properly grounded chassis.

Never touch or change the connections when power is applied to the connector. Always turn off test system power and discharge all capacitors before connecting or disconnecting the connector.

To prevent voltages from being exposed or connections from shorting together, make sure both ends of the connector are properly connected before applying voltage.